



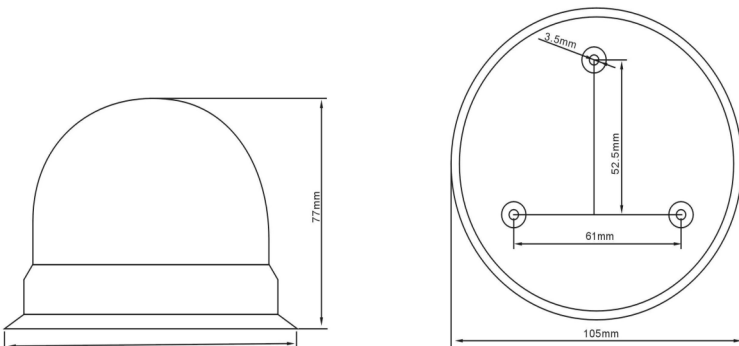
Mini Domes Series

MDCMRFF3

Main Features:

- 1/4" Sony Super HAD color CCD
- S/N Ration >48dB
- Low light: 0.8 Lux Minimum Illumination
- Auto White Balance
- Strong Back Light Compensation
- 3.6mm Pre-focused Lens
- Audio Output
- Easy to Align

Diagram:



Specifications:

| | |
|------------------------|----------------------------------|
| Image Sensor | 1/4" Sony Super HAD Color CCD |
| Signal System | NTSC |
| Scanning Frequency | H:15.734KHz V:60 Hz |
| Horizontal Resolution | 420 TVL |
| Picture Element | 510(H) x 494(V) |
| Minimum Illumination | 0.8 Lux |
| Electronic Shutter | 1/60 ~ 1/100,000 second |
| S/N Ratio | > 48dB |
| Auto Gain Control | Preset (On) |
| Backlight Compensation | Preset (On) |
| # of IR LED'S | None |
| Electronic Iris | EE |
| Video Output | 1 Vp-p 75 ohm Composite Video |
| Supply Voltage | 12VDC |
| Current used | < 120mA |
| Lens | 3.6mm Pre-focused Lens |
| Audio Output | Built-In |
| Water Proof | No |
| Body Style | Black Plastic MINI DOME |
| Mounting Bracket | No Required |