



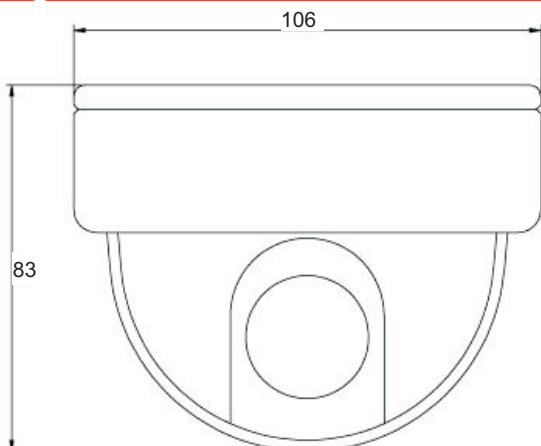
Vandal Proof Mini Dome Series

DCCMRVFVP2

Main Features:

- 1/3" Sony Super HAD color CCD
- S/N Ratio >50dB
- Low light: Only 0.5 Lux Minimum Illumination
- Vandal Proof
- Strong Back Light Compensation
- 3.5-8mm Varifocal Lens
- Water Proof
- Ceiling / Wall Mount (Wall Mount included)

Diagram:



Specifications:

Image Sensor	1/3" Sony Super HAD Color CCD
Signal System	NTSC
Scanning Frequency	H:15.734KHz V:60 Hz
Horizontal Resolution	420 TVL
Picture Element	510(H) x 494(V)
Minimum Illumination	0.5 Lux
Electronic Shutter	1/60 ~ 1/100,000 second
S/N Ratio	> 50dB
Auto Gain Control	Preset (On)
Backlight Compensation	Preset (On)
# of IR LED'S	None
Electronic Iris	EE
Video Output	1 Vp-p 75 ohm Composite Video
Supply Voltage	12VDC
Current used	< 120mA
Lens	3.5-8mm Varifocal Manual Iris Lens
Audio Output	No
Water Proof	Yes
Body Style	Silver Metallic VANDAL PROOF MINI DOME
Mounting Bracket	Included