



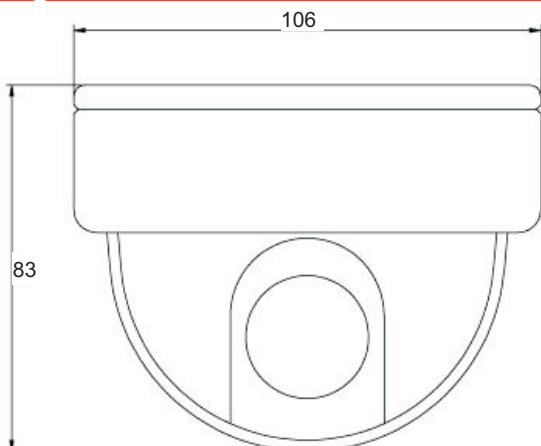
Vandal Proof Mini Dome Series

IRMDVPCMRVF2

Main Features:

- 1/3" Sony Super HAD color CCD
- S/N Ratio >48dB
- 0 LUX IR on
- 24pcs IR LED range up to 20m
- Strong Back Light Compensation
- 3.5-8mm Varifocal Autoiris Lens
- Water Proof

Diagram:



Specifications:

Image Sensor	1/3" Sony Super HAD Color CCD
Signal System	NTSC
Scanning Frequency	H:15.734KHz V:60 Hz
Horizontal Resolution	420 TVL
Picture Element	510(H) x 494(V)
Minimum Illumination	Day: 0.5 Lux Night: 0 Lux
Electronic Shutter	1/60 ~ 1/100,000 second
S/N Ratio	> 48 dB
Auto Gain Control	Preset (On)
Backlight Compensation	Preset (On)
# of IR LED'S	24pcs (Max. Range: 20m)
Electronic Iris	AI
Video Output	1 Vp-p 75 ohm Composite Video
Supply Voltage	12VDC
Current used	< 120mA (Day) <300mA (Night)
Lens	3.5-8mm Varifocal Auto Iris Lens
Audio Output	No
Water Proof	Yes
Body Style	Silver Metallic VANDAL PROOF MINI DOME
Mounting Bracket	Included